

Planargard[®] CL Bulk and Point-of-Use Cartridge Filters

Designed to meet the needs of next-generation copper and ILD slurries

Entegris' Planargard[®] CL graded-density depth filters provide CMP applications the critical performance balance between the removal of defect-causing agglomerate gels and delivery of the necessary slurry solution to the wafer surface. Fabricated of durable polypropylene, Planargard CL accomplishes this balance through a filter matrix capture mechanism, reducing the potential for premature filter "plugging" as the particles are retained in the filter.

Performance

Planargard CL filters remove only disruptive particles from the CMP slurry, leaving the active slurry components in the stream to perform in concert with the pad. The size distribution of the slurry particles is unchanged after filtration, ensuring that a consistent slurry solution is delivered to the wafer surface.

Filter Selection

Planargard CL filters are available in an array of options to match your application specific filtration objectives. Entegris is proud to offer the knowledge and applications expertise of our worldwide technical support team to our customers when selecting and evaluating the ideal filter for your applications.



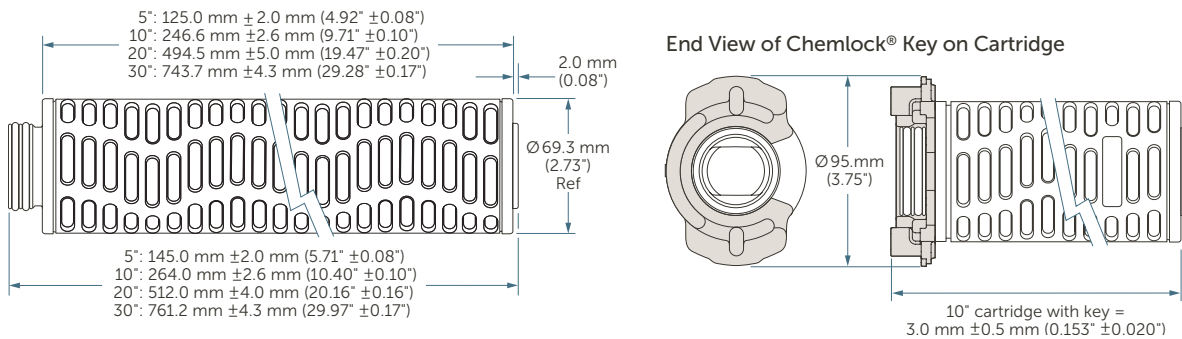
FEATURES & BENEFITS

| | |
|---|---|
| Nonwoven media design | Enables the filter to retain defect-causing agglomerates with high efficiency |
| Removes only those particles that are disruptive | The particle size distribution of the "working" slurry particles does not change after filtration |
| Available in 0.3, 0.5, 0.7, and 1.0 μm sizes | Designed to meet the needs for bulk and point-of-use filtration of CMP slurries |

SPECIFICATIONS

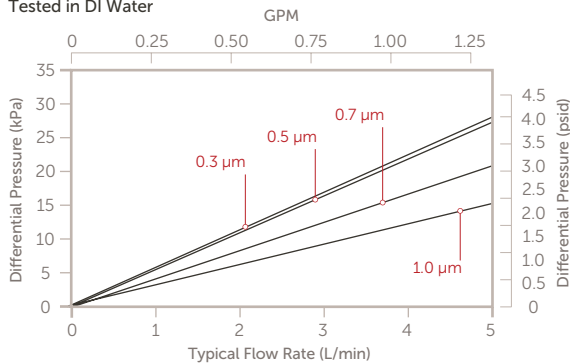
| | | |
|-------------------------------------|--|---------------------|
| Materials of construction | All-polypropylene construction | |
| | Cartridge O-ring | EPR, 2-222 (Code 0) |
| Available sizes | Length | 5", 10", 20", 30" |
| Adapter | 222 | |
| Retention rating | 0.3, 0.5, 0.7, and 1.0 μm | |
| Maximum operating conditions | Maximum forward differential pressure: 0.48 MPa (4.8 bar, 70 psi) @ 25°C (77°F) | |
| | Maximum reverse pressure: 0.15 MPa (1.5 bar, 70 psi) @ 20°C (68°F) | |

DIMENSIONS

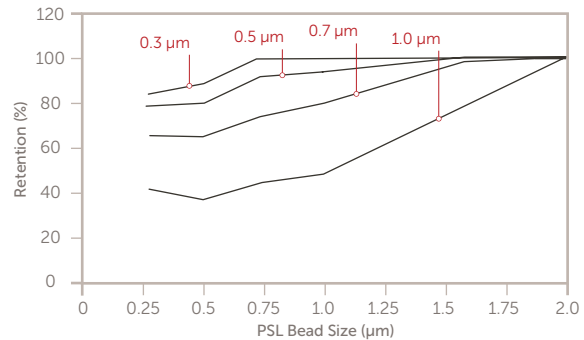


PERFORMANCE DATA

**Pressure Drop for Planargard CL
0.3, 0.5, 0.7, and 1.0 μm 10" Cartridges**
Tested in DI Water



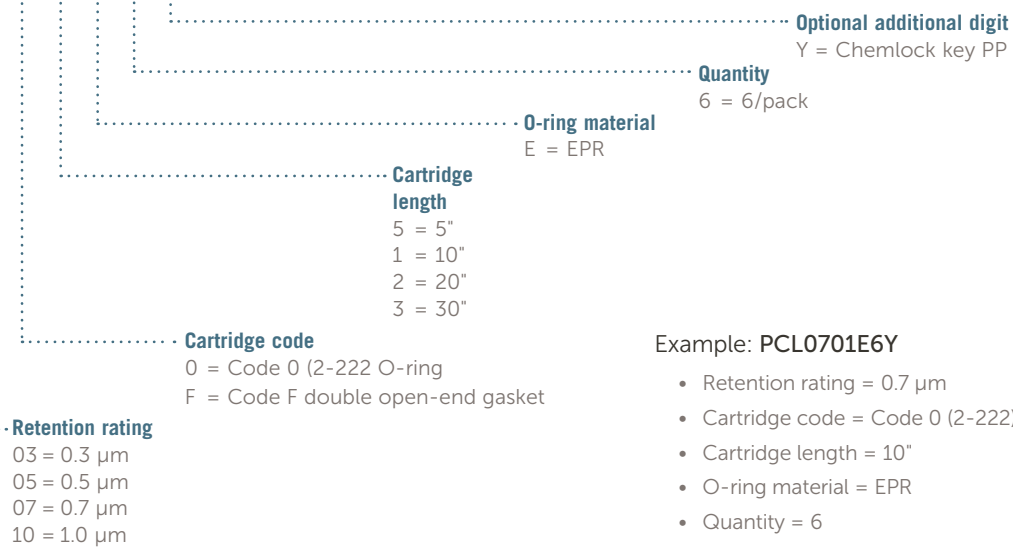
**Retention of Planargard CL
0.3, 0.5, 0.7, and 1.0 μm 10" Cartridges**
PSL Beads Dispersed in DI Water



ORDERING INFORMATION

Planargard CL Cartridge Filters: part number

PCL



Example: PCL0701E6Y

- Retention rating = 0.7 µm
- Cartridge code = Code 0 (2-222) O-ring
- Cartridge length = 10"
- O-ring material = EPR
- Quantity = 6
- Optional Chemlock key

FOR MORE INFORMATION

Please call your Regional Customer Service Center today to learn what Entegris can do for you. Visit entegris.com and select the [Contact Us](#) link to find the customer service center nearest you.

TERMS AND CONDITIONS OF SALE

All purchases are subject to Entegris' Terms and Conditions of Sale. To view and print this information, visit entegris.com and select the [Terms & Conditions](#) link in the footer.



Corporate Headquarters

129 Concord Road
Billerica, MA 01821
USA

Customer Service

Tel +1 952 556 4181
Fax +1 952 556 8022
Toll Free 800 394 4083

Entegris®, the Entegris Rings Design®, and other product names are trademarks of Entegris, Inc. as listed on entegris.com/trademarks. All third-party product names, logos, and company names are trademarks or registered trademarks of their respective owners. Use of them does not imply any affiliation, sponsorship, or endorsement by the trademark owner.

©2001-2019 Entegris, Inc. | All rights reserved. | Printed in the USA | 4423-5038ENT-0319