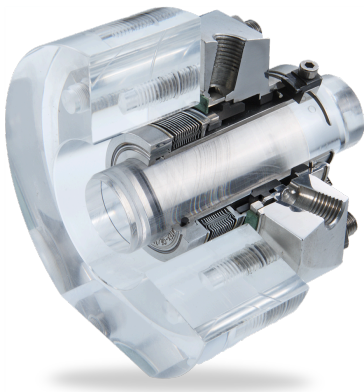


RELY ON EXCELLENCE

## Mtex Single seals

Mechanical seals | Mechanical seals for pumps | Standard cartridge seals



### Features

- Single seal
- Cartridge
- Balanced
- Independent of direction of rotation
- Metal bellows
- Single seal with quench and lip seal (-QN) or throttle ring (-TN)
- Version available with multipoint injection ring (-QNM, -TNM)
- Supply connections for flush (A) and quench (B)

### Advantages

- Ideal seal for standardizations
- Universal applicable for packings conversions, retrofits or OEM
- No dimensional modification of the seal chamber necessary, small radial installation height
- Trouble-free running due to bellows unit with vibration dampers (essential in case of dry-running)
- No dynamically loaded O-Ring
- Self cleaning effect of the bellows
- Straightforward and easy installation due to pre-assembled unit (reduced down-times)

### Operating range

Shaft diameter:

d1 = 25 ... 80 mm (1" ... 3.15")

Temperature:

t\* = -40 °C ... +220 °C (-40 °F ... +428 °F)

Pressure: p = 25 bar (363 PSI)

Sliding velocity: vg = 20 m/s (66 ft/s)

\* Operating limits of O-Rings to be observed

### Materials

Seal face: Carbon graphite antimony impregnated (A), Silicon carbide (Q1)

Seat: Silicon carbide (Q1)

Secondary seals:

FKM (V), EPDM (E), FFKM (K)

Bellows: Inconel® 718 (M6)

Metal parts: CrNiMo steel (G), Duplex (G1)

Throttle ring:

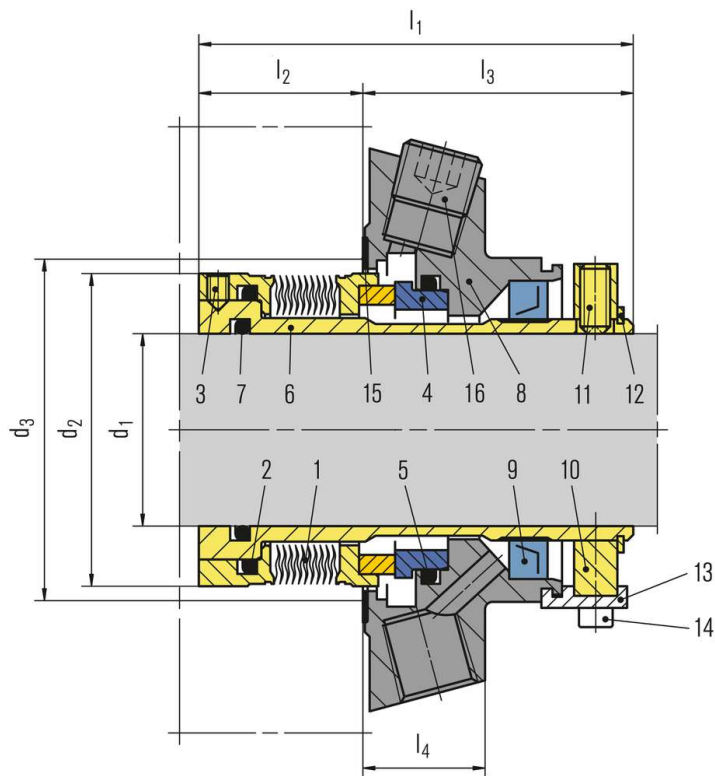
PTFE carbon graphite reinforced (T12)

Lip seal: NBR (P), PTFE carbon reinforced (T3)

### Recommended applications

- Process industry
- Chemical industry
- Hot media
- Cold media
- Highly viscous media
- Pumps
- Special rotating equipment

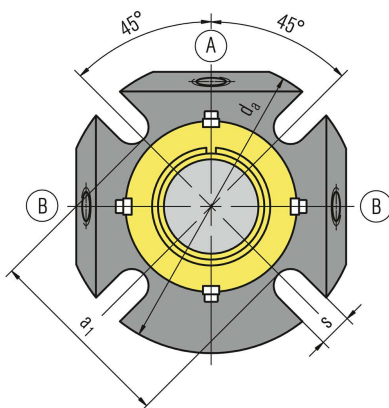
RELY ON EXCELLENCE



Item	Description
1	Bellows unit
2, 5, 7	O-Ring
3, 11	Set screw
4	Seat
6	Shaft sleeve
8	Cover
9	Lip seal (-QN) or throttle ring (-TN)
10	Drive collar
12	Retaining ring
13	Assembly fixture
14	Hex socket head screw
15	Gasket
16	Screw plug

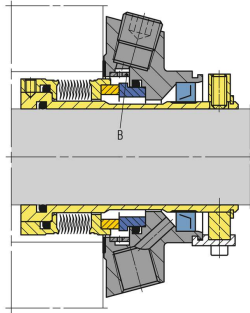
## Installation, details, options

### Seal cover



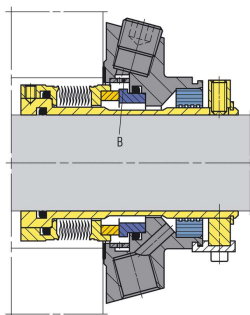
RELY ON EXCELLENCE

## Product variants



### **Mtex-QNM**

Single seal, as Mtex-QN with additional multipoint injection ring (item B).



### **Mtex-TNM**

Single seal, as Mtex-TN with additional multipoint injection ring (item B).

RELY ON EXCELLENCE

## Dimensions

d <sub>1</sub>	d <sub>2</sub>	d <sub>3</sub> min.	d <sub>3</sub> max.	l <sub>1</sub>	l <sub>2</sub>	l <sub>3</sub>	l <sub>4</sub>	d <sub>a</sub>	a <sub>1</sub>	s
25	45.0	47.0	51.0	79.5	26.1	53.4	25.4	105.0	62.0	13.2
30	49.4	52.0	56.0	78.4	25.0	53.4	25.4	105.0	67.0	13.2
32	52.3	54.5	57.0	78.4	25.0	53.4	25.4	108.0	70.0	13.2
33	52.3	54.5	57.0	78.4	25.0	53.4	25.4	108.0	70.0	13.2
35	54.8	58.0	61.5	78.4	25.0	53.4	25.4	113.0	72.0	13.2
38	57.5	60.0	66.0	78.4	25.0	53.4	25.4	123.0	75.0	13.2
40	58.8	62.0	68.0	78.2	24.8	53.4	25.4	123.0	77.0	14.2
43	61.9	64.5	70.5	78.4	25.0	53.4	25.4	133.0	80.0	14.2
45	65.0	68.5	73.0	78.4	25.0	53.4	25.4	138.0	82.0	14.2
48	68.4	71.0	75.0	78.7	25.3	53.4	25.4	138.0	85.0	14.2
50	70.0	73.0	78.0	79.1	25.7	53.4	25.4	148.0	87.0	14.2
53	71.9	75.0	87.0	77.8	24.4	53.4	25.4	148.0	97.0	18.0
55	74.6	77.0	83.0	78.9	25.5	53.4	25.4	148.0	92.0	18.0
60	83.9	87.0	91.0	80.1	26.7	53.4	25.4	157.0	102.0	18.0
65	87.5	90.0	98.5	80.0	26.6	53.4	25.4	163.0	109.3	18.0
70	93.0	98.0	108.0	81.5	28.1	53.4	25.4	178.0	118.3	18.0
75	96.8	101.6	118.0	94.4	30.5	63.9	28.0	190.0	129.0	18.0
80	104.7	108.0	124.0	94.4	30.4	64.0	28.0	195.0	135.0	18.0

Dimensions in millimeter

[eagleburgmann.com](http://eagleburgmann.com)  
[info@eagleburgmann.com](mailto:info@eagleburgmann.com)

All technical specifications are based on extensive tests and our many years of experience. The diversity of possible applications, however, means that they can serve only as guide values.

We must be notified of the exact conditions of application before we can provide any guarantee for a specific case. This is subject to change.